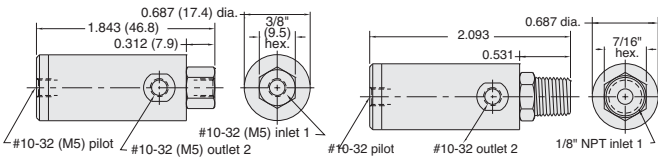


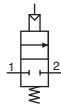


## Piloted Actuated Water Drawback Valves

When this Normally-Closed valve closes a spring biased internal piston draws back a small volume on outlet side (approx. 6-7" in 1/8" I.D. tube) thus preventing overflow or dribbles. Ideal for use in quenching or water spray applications.



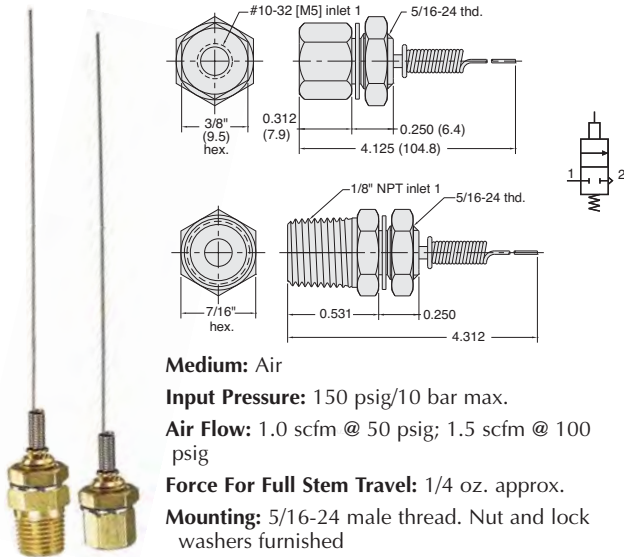
- Medium:** Water or Other Light Liquids
- Input Pressure:** 100 psig/10 bar max.
- Pilot Pressure:** 25 psig min.
- Flow:** 74 cu. in. H<sub>2</sub>O per min. @ 80 psig
- Drawback:** 0.07 cu. in. (1.2 ml)
- Mounting:** Mounts in-line



Part No.	Description
WDV-2	Poppet Valve with Air Pilot, #10-32
WDV-2-M5	Poppet Valve with Air Pilot, M5
WDV-2P	Poppet Valve with Air Pilot, 1/8" NPT

## 2-Way Normally-Closed Whisker Valve

For use with bleed pressure piloted control circuits. Coil spring stainless steel whisker is easily replaceable and can be formed to different shapes.

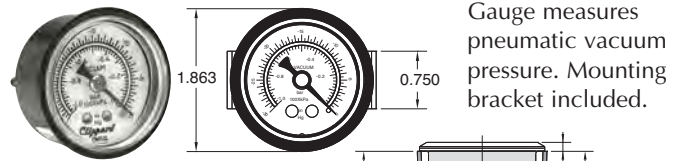


- Medium:** Air
- Input Pressure:** 150 psig/10 bar max.
- Air Flow:** 1.0 scfm @ 50 psig; 1.5 scfm @ 100 psig
- Force For Full Stem Travel:** 1/4 oz. approx.
- Mounting:** 5/16-24 male thread. Nut and lock washers furnished
- Bleed:** To atmosphere around whisker stem

**Whisker:** Stainless steel, approx. 3" (76.2) length. Replacement Part No. 12375

Part No.	Description
MWV-1	Normally-Closed Whisker Valve, #10-32
MWV-1-M5	Normally-Closed Whisker Valve, M5
MWV-1P	Normally-Closed Whisker Valve, 1/8" NPT

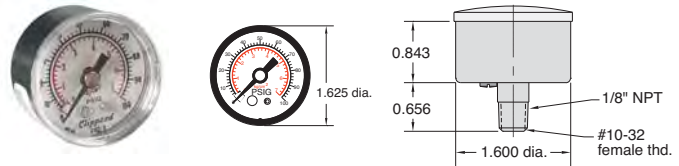
## Vacuum Gauge



- Range:** Scale reading from 0 to 30" Hg. and 0 to -1 bar
- Construction:** Nickel-plated steel case. Plastic face. Dial shows two ranges; Hg in black. bars in red. Built-in pressure snubber.
- Ports:** Connection located at rear is double threaded O.D. - male thread 1/8" NPT, I.D. - tapped for #10-32 fitting
- Mounting:** Stud mount using 1/8" NPT center stud or panel mount using the zinc plated steel bracket supplied.

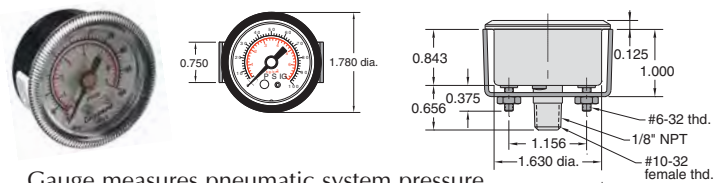
Part No.	Description
VG-30	Vacuum Gauge

## Pressure Gauges



- Range:** Scale reading from 0 to 100 psig and 0 to 6.9 bar
- Construction:** Steel case. Plastic face. Dial shows two ranges; psig in black. Bars in red. Built-in pressure snubber.
- Ports:** Connection located at rear is double threaded O.D. - male thread 1/8" NPT; I.D. - tapped for #10-32 fitting
- Mounting:** Direct with 1/8" NPT

Part No.	Description
PG-101-BK	Pressure Gauge, Black Case
PG-101-NP	Pressure Gauge, Nickel-Plated



- Input Pressure:** Scale reading from 0 to 100 psig and 0 to 6.9 bar
- Construction:** Nickel-plated steel case. Plastic face. Dial shows two ranges; psig in black. Bars in red. Built-in pressure snubber.
- Ports:** Connection located at rear is double threaded O.D. - male thread 1/8" NPT I.D. - tapped for #10-32 fitting
- Mounting:** With zinc plated steel bracket supplied

Part No.	Description
PG-100	Pressure Gauge